

PLC module 5 IN + 5 relay OUT + 1 anal. IN + 1 anal. OUT



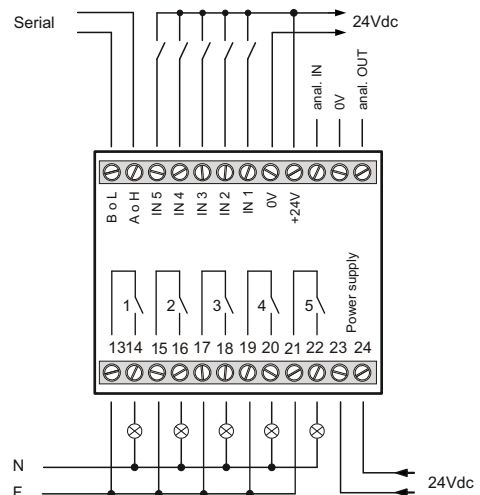
Compact micro-PLC module suitable for the automation of small operating machines.

It has fast inputs for encoders, digital inputs for ON-OFF commands, analog input, outputs with on-board power relay, one 0-10V analogue output, one RS-485 serial port or CAN-BUS, LED operating diagnostics on front.

Technical features

Power supply	24Vdc or 24Vac +/- 10%
Absorption	Max 130mA
Optoisolated inputs	N. 15 digital
Analog inputs	0-10 Vdc / 0-24 Vdc
Digital outputs	5 relays
Analog outputs	N.1 0-10 Vdc
Contact flow rate	Max 16A/250V resistive load
Wiring	Serial RS485 or CAN-BUS
Memory	Eeprom
Operation conditions	0.. +55°C / 20..90% R.U. without condensation
Storage conditions	-25.. +80°C / 20..90% R.U. without condensation
Mounting	DIN rail according to EN 50022
Container size	4 modules H 53mm
Protection degree	IP20

Electrical connections



Dimensions

